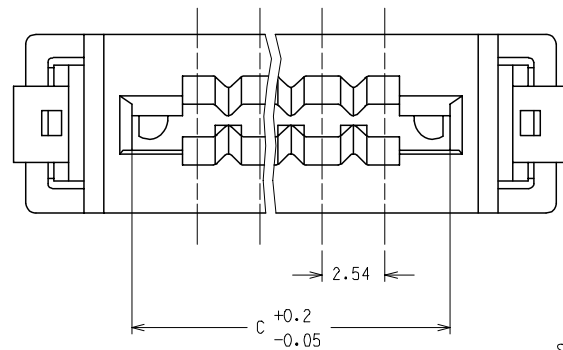
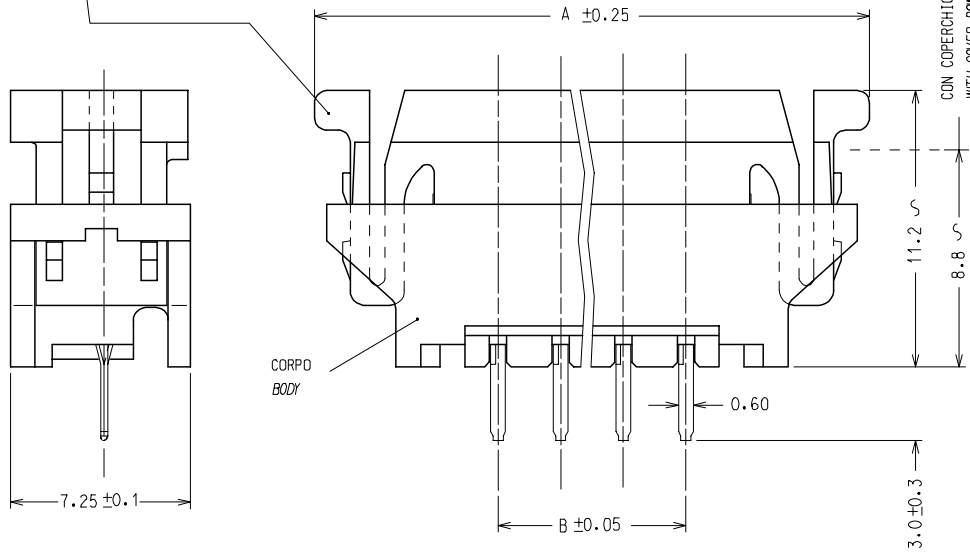


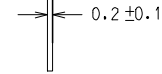
10 9 8 7 6 5 4 3 2 1

COPERCHIO
COVER

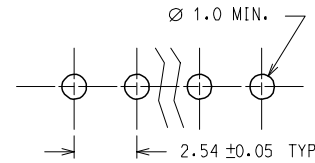
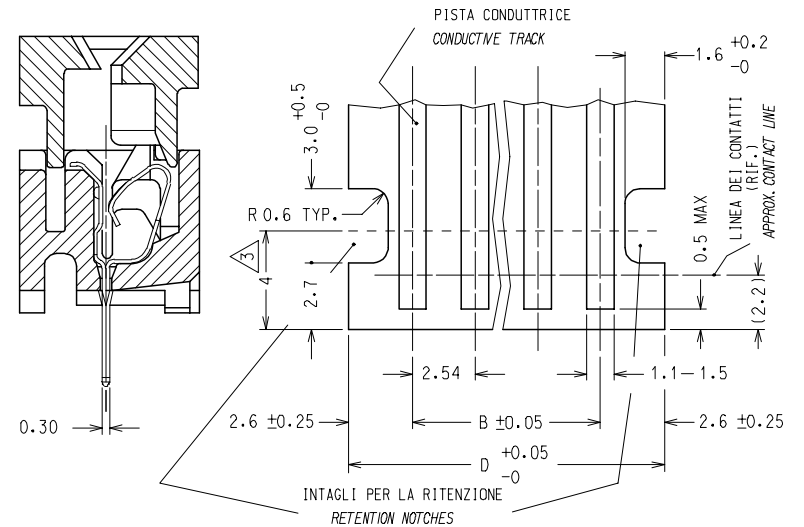
COPERCHIO ALZATO: I CONTATTI SONO APERTI PER UN AGEVOLE INSERIMENTO DEL CIRCUITO FLESSIBILE
COVER UP: CONTACTS ARE OPEN FOR AN EASY INSERTION OF THE FLEX CIRCUITRY
COPERCHIO ABBASSATO: I CONTATTI SONO PREMUTI CONTRO LE PISTE
COVER DOWN: CONTACTS ARE CLOSED ON THE TRACKS



CIRCUITO FLESSIBILE (SPESSORE TYPICO)
FLEX CIRCUITRY (TYPICAL THICKNESS)



PREPARAZIONE DEL CIRCUITO FLESSIBILE (ZONA DI CONNESSIONE)
FLAT FLEX CIRCUITRY PREPARATION (MATING TAIL)



CONFIGURAZIONE RACCOMANDATA SUL C. S.
RECOMMENDED P. C. BOARD HOLE DIMENSION

MATERIALI: CORPO E COPERCHIO: PBT NERO CARICATO F. V., UL 94 V0
CONTATTI: BRONZO FOSFOROSO DI SPESSORE 0.15 mm
PRESTAGNATO SALDABILE

MATERIALS: BODY AND COVER: BLACK G. F. PBT, UL 94 V0
CONTACTS: PHOSPHOR BRONZE SOLDERABLE TIN PREPLATED STRIP, 0.15 mm THICK

STD. DESCR.: FFC CONN VERT (insert contact number) CKT

NOTE: 1) IL PRODOTTO VIENE FORNITO IN TUBI (VEDI FOGLIO 2/2)
2) CARATTERISTICHE TECNICHE E FUNZIONALI COME DA PS 90500.
3) LUNGHEZZA MINIMA DI ESPOSIZIONE DELLE PISTE
4) SPQ: VEDERE FOGLIO 2/2

NOTE: 1) PRODUCT WILL BE SUPPLIED PACKAGED IN A TUBE (SEE SHEET 2/2)
2) TECHNICAL CHARACTERISTICS AS INDICATED IN PS90500.
3) MINIMUM EXPOSED LENGTH OF TRACKS
4) SPQ: SEE SHEET 2/2

| | |
|----------------------------|-----------------|
| EC NO: Z2005-0177 | QUALITY SYMBOLS |
| DRWN: SBARBIERI 2005/05/19 | ▽=0 |
| CHKD: RSANDANO 2005/05/20 | ∇=0 |
| APPR: FBI SELLO 2005/05/20 | |
| REV | |
| B1 | |

| GENERAL TOLERANCES (UNLESS SPECIFIED) | | DIMENSION STYLE | |
|--|----------------|-----------------|------------|
| | | MM ONLY | |
| | | DRAWN BY | DATE |
| 4 PLACES | ± --- | SBARBIERI | 2000/04/13 |
| 3 PLACES | ± --- | CHECKED BY | DATE |
| 2 PLACES | ± 0.05 | MTESTAGUZZA | 2000/04/13 |
| 1 PLACE | ± 0.10 | APPROVED BY | DATE |
| | ANGULAR ± ---° | RMARTUCCI | 2000/04/13 |
| DRAFT WHERE APPLICABLE MUST REMAIN WITHIN DIMENSIONS | | MATERIAL NO. | |
| | | SEE SHT 2/2 | |
| | | SIZE | |
| | | A3 | |

| | | | |
|---|--------------|------------------------|-----------|
| SCALE | DESIGN UNITS | FIRST ANGLE PROJECTION | |
| 5:1 | METRIC | | |
| TITLE | | | |
| FFC CONNECTOR VERTICAL MOUNTING VERSION | | | |
| MOLEX INCORPORATED | | DOCUMENT NO. | SHEET NO. |
| | | SD-90500-001 | 1 OF 2 |
| THIS DRAWING CONTAINS INFORMATION THAT IS PROPRIETARY TO MOLEX INCORPORATED AND SHOULD NOT BE USED WITHOUT WRITTEN PERMISSION | | | |

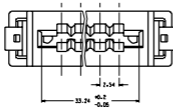
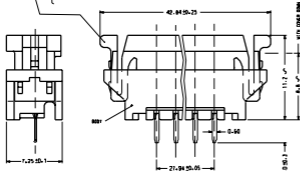
9 8 7 6 5 4 3 2 1

| N° . DI CODICE PART. NO. | ATTREZZAGGIO TOOLING | N° . VIE CCT NO. | DIM "A" | DIM "B" | DIM "C" | DIM "D" | N° . CONN./TUBO CONN. NO./TUBE | N° . CONN./SCATOLA CONN. NO./BOX (SPQ) |
|-----------------------------|------------------------------|---------------------|---------|---------|---------|---------|-----------------------------------|---|
| 90500-3002 | NON ATTREZZATO NOT TOOLED | 2 | | | | | | |
| 90500-3003 | " | 3 | | | | | | |
| 90500-3004 | ATTREZZATO TOOLED | 4 | 22.52 | 7.62 | 12.92 | 12.82 | 24 | 4320 |
| 90500-3005 | " | 5 | 25.06 | 10.16 | 15.46 | 15.36 | 21 | 3780 |
| 90500-3006 | " | 6 | 27.60 | 12.70 | 18.00 | 17.90 | 19 | 3420 |
| 90500-3007 | " | 7 | 30.14 | 15.24 | 20.54 | 20.44 | 17 | 3060 |
| 90500-3008 | " | 8 | 32.68 | 17.78 | 23.08 | 22.98 | 16 | 2880 |
| 90500-3009 | " | 9 | 35.22 | 20.32 | 25.62 | 25.52 | 15 | 2700 |
| 90500-3010 | " | 10 | 37.76 | 22.86 | 28.16 | 28.06 | 14 | 2520 |
| 90500-3011 | " | 11 | 40.30 | 25.40 | 30.70 | 30.60 | 13 | 2340 |
| 90500-3012 | " | 12 | 42.84 | 27.94 | 33.24 | 33.14 | 12 | 2160 |
| 90500-3013 | " | 13 | 45.38 | 30.48 | 35.78 | 35.68 | 11 | 1980 |
| 90500-3014 | " | 14 | 47.92 | 33.02 | 38.32 | 38.22 | 11 | 1980 |
| 90500-3015 | " | 15 | 50.46 | 35.56 | 40.86 | 40.76 | 10 | 1800 |
| 90500-3016 | " | 16 | 53.00 | 38.10 | 43.40 | 43.30 | 10 | 1800 |
| 90500-3017 | " | 17 | 55.54 | 40.64 | 45.94 | 45.84 | 9 | 1620 |
| 90500-3018 | " | 18 | 58.08 | 43.18 | 48.48 | 48.38 | 9 | 1620 |
| 90500-3019 | " | 19 | 60.62 | 45.72 | 51.02 | 50.92 | 8 | 1440 |
| 90500-3020 | " | 20 | 63.16 | 48.26 | 53.56 | 53.46 | 8 | 1440 |

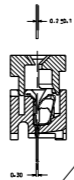
| | | | | | | | | | | | | | | | | | | | | | | | |
|--|-----------------|---|----------------------------|--------------|------------------------|------------------------|------|------|----------|------|------|----------|-------|------|---------|-------|------|---------------|--|--|--|--|---|
| EC NO: Z2005-0177 DRWN:SBARBERI 2005/05/19 CHKD:RSANDANO 2005/05/20 APPR:FBISELLO 2005/05/20 REV DESCRIPTION | QUALITY SYMBOLS | GENERAL TOLERANCES (UNLESS SPECIFIED) | DIMENSION STYLE MM ONLY | SCALE --- | DESIGN UNITS METRIC | FIRST ANGLE PROJECTION | | | | | | | | | | | | | | | | | |
| | ▽=0 ∇=0 | <table border="1"> <tr> <td></td> <td>mm</td> <td>INCH</td> </tr> <tr> <td>4 PLACES</td> <td>±---</td> <td>±---</td> </tr> <tr> <td>3 PLACES</td> <td>±---</td> <td>±---</td> </tr> <tr> <td>2 PLACES</td> <td>±0.05</td> <td>±---</td> </tr> <tr> <td>1 PLACE</td> <td>±0.10</td> <td>±---</td> </tr> <tr> <td colspan="3">ANGULAR ±---°</td> </tr> </table> | | mm | INCH | 4 PLACES | ±--- | ±--- | 3 PLACES | ±--- | ±--- | 2 PLACES | ±0.05 | ±--- | 1 PLACE | ±0.10 | ±--- | ANGULAR ±---° | | | DRAWN BY SBARBERI DATE 2000/04/15 CHECKED BY RSANDANO DATE 2000/04/15 APPROVED BY FBISELLO DATE 2000/04/15 MATERIAL NO. | TITLE FFC CONNECTOR VERTICAL MOUNTING VERSION | MOLEX INCORPORATED DOCUMENT NO. SD-90500-001 SHEET NO. 2 OF 2 |
| | | mm | INCH | | | | | | | | | | | | | | | | | | | | |
| | 4 PLACES | ±--- | ±--- | | | | | | | | | | | | | | | | | | | | |
| 3 PLACES | ±--- | ±--- | | | | | | | | | | | | | | | | | | | | | |
| 2 PLACES | ±0.05 | ±--- | | | | | | | | | | | | | | | | | | | | | |
| 1 PLACE | ±0.10 | ±--- | | | | | | | | | | | | | | | | | | | | | |
| ANGULAR ±---° | | | | | | | | | | | | | | | | | | | | | | | |
| DRAFT WHERE APPLICABLE MUST REMAIN WITHIN DIMENSIONS | SEE TABLE | THIS DRAWING CONTAINS INFORMATION THAT IS PROPRIETARY TO MOLEX INCORPORATED AND SHOULD NOT BE USED WITHOUT WRITTEN PERMISSION | | | | | | | | | | | | | | | | | | | | | |
| B1 | SIZE A3 | | | | | | | | | | | | | | | | | | | | | | |

COVER

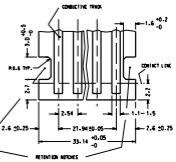
COVER UP: CONTACTS ARE OPEN FOR AN EASY INSERTION OF THE FLEX CIRCUITRY
 COVER DOWN: CONTACTS ARE CLOSED BY THE TRACKS



FLEX CIRCUITRY (TYPICAL THICKNESS)



FLAT FLEX CIRCUITRY PREPARATION (ON THE TAB)



RECOMMENDED P-C HOLE DIMENSION:



MARKING
 BODY AND COVER: BLACK G.F. PBT, UL 94 V0
 CONTACTS: PHOSPHOR BRONZE SOLDERABLE TIN REPLATED STRIP, 0.15 mm THICK

- NOTES:
 1) PRODUCT WILL BE SUPPLIED PACKAGED IN TUBES (7500 PCS/BOX - SPA)
 2) TECHNICAL CHARACTERISTICS AS INDICATED IN PS-9050-011.

STD DESIG-1 FCC COM NEXT 12 OCT

| | | | | | | | | | |
|---|--|---|---|---|------------------------|--|---|-----|-----|
| EC NO. 2782-001 Class 1, Version 1, 20-11-07 CHINA: 1, 1001000000, 20-11-07 APPROVAL: 1001000000, 20-11-07 | QUALITY SYMBOLS SIGNIF. SYMBOLS CRITICAL SYMBOLS | GENERAL TOLERANCES UNLESS SPECIFIED DIMENSIONAL TOLERANCES FRACTIONS DECIMALS 4 PLACES ±0.1 2 PLACES ±0.05 1 PLACE ±0.1 HOLE DIA. ± | SCALE DESIGN UNITS 5:1 (DIMY) (INCH) | DESIGN BY & DATE S. BERDIERI 20-11-07 CHECKED BY & DATE M. TROTTIGLIOSO 20-11-07 APPROVED BY & DATE M. MURRUCCI 20-11-07 CAD FILENAME | FIRST ANGLE PROJECTION | TITLE CONNECTOR FOR FLAT FLEXIBLE CIRCUITS 12 OCT. 2.54 1,1001 FOOT PRINT - VERTICAL MOUNTING VERSION - | DIMENSIONS: DIM INCH DIM MM DIM INCH DIM MM DIM INCH DIM MM DIM INCH DIM MM | REV | REV |
| | | | | | | | | REV | REV |
| | | | | | | | | REV | REV |
| DRAWING NO. 90500-3012 | | DRAWING NO. 90-9050-003 | | SHEET NO. 1/1 | | SIZE A 3 | | | |

THIS DRAWING CONTAINS PROPRIETARY INFORMATION THAT IS PROPRIETARY TO MOLEX INCORPORATED AND SHOULD NOT BE USED WITHOUT WRITTEN PERMISSION.